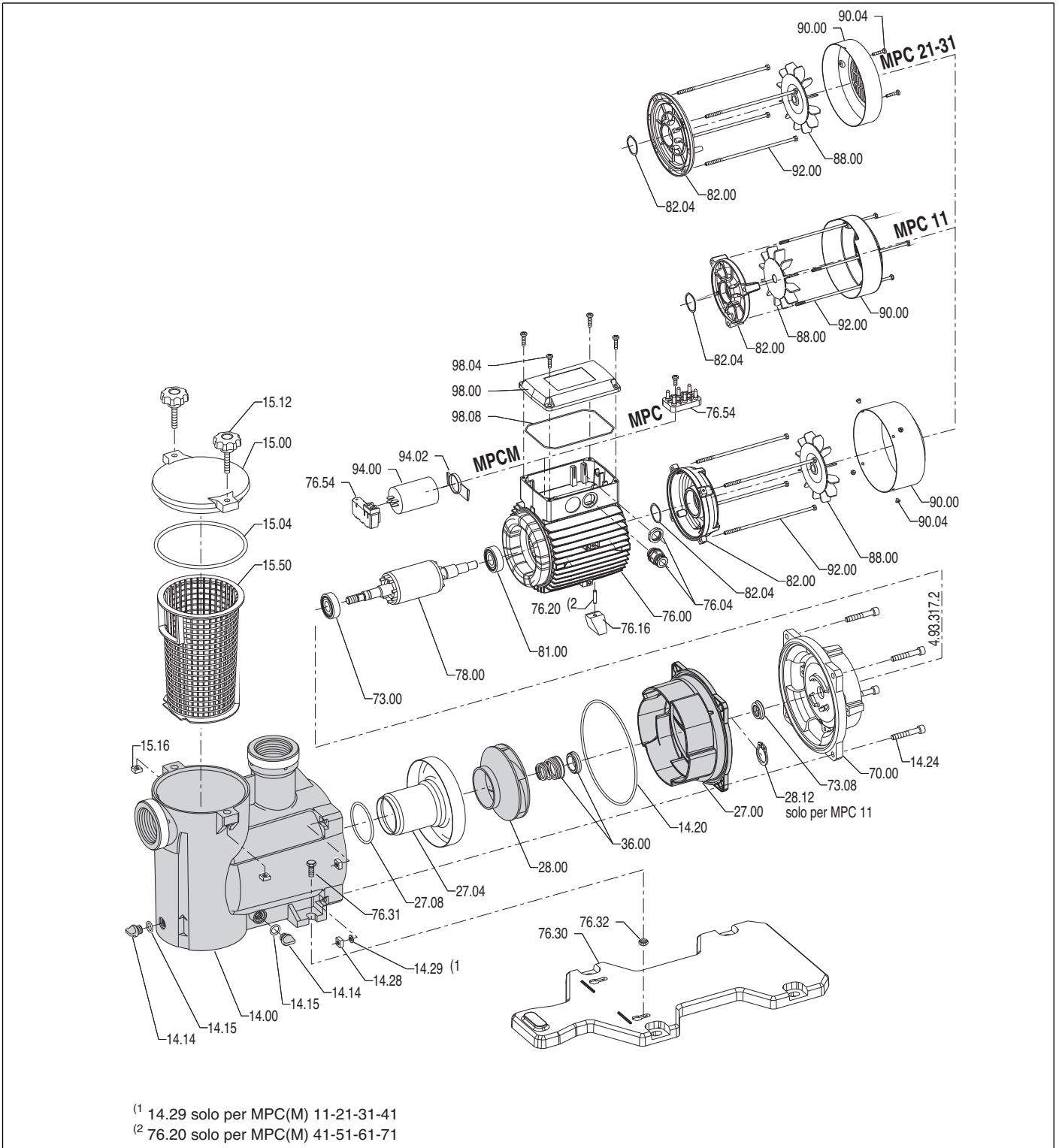


MPC 11	MPC 51
MPC 21	MPC 61
MPC 31	MPC 71
MPC 41	



(1) 14.29 solo per MPC(M) 11-21-31-41  
 (2) 76.20 solo per MPC(M) 41-51-61-71